

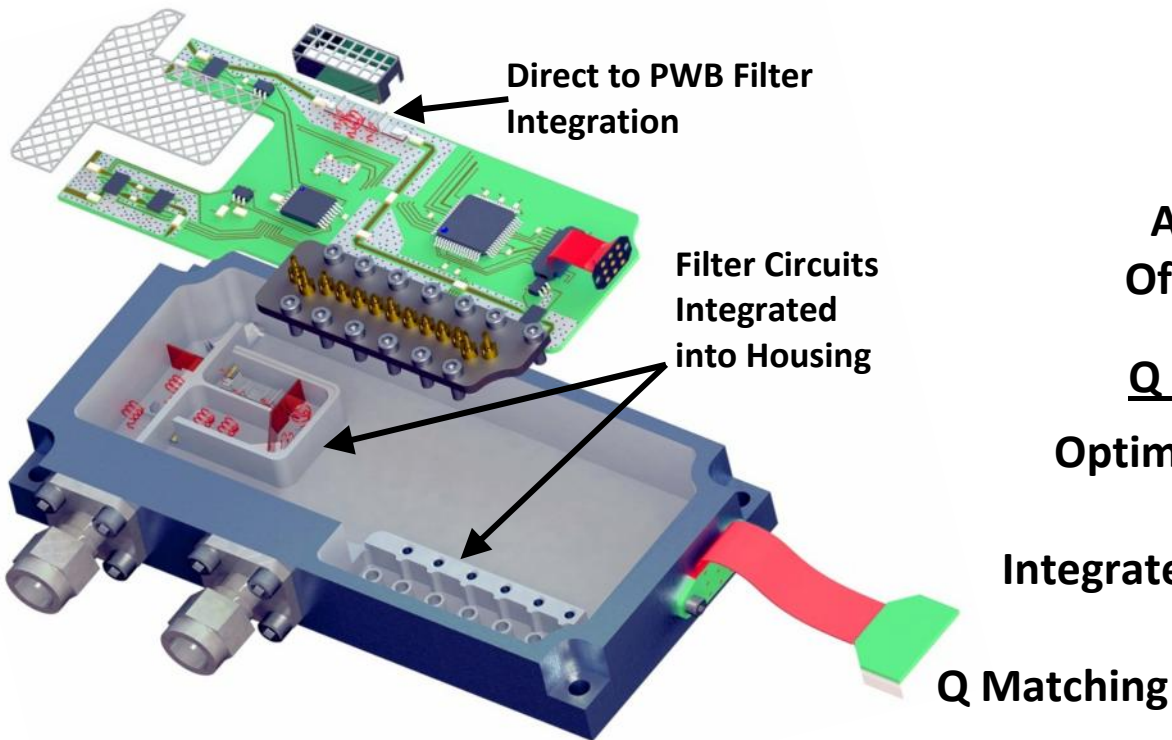


# **Q MICROWAVE**

*An ISO 9001 Certified Supplier*

## Integrated Filter Product Line

- Collaborative Design Approach\*
- Seamless Impedance Matching
- Enhanced Performance
- Reduced Size & Parts Count



**An Evolution  
Of Filter Design**

**Q Microwave  
Optimal Performance**

**\*Working with your Engineering to  
integrate our Filters into your Design;  
Developing innovative integrated  
Filter solutions to achieve  
optimum system performance.**

**Micro-Strip Technology**

**Surface Mount**

**50 Ohm Load Testing**

**The Competition**

**Q Microwave, Inc. Ph# 619-258-7322  
1591 Pioneer Way, El Cajon, CA 92020**

**[www.qmicrowave.com](http://www.qmicrowave.com)**



# Q MICROWAVE

*An ISO 9001 Certified Supplier*

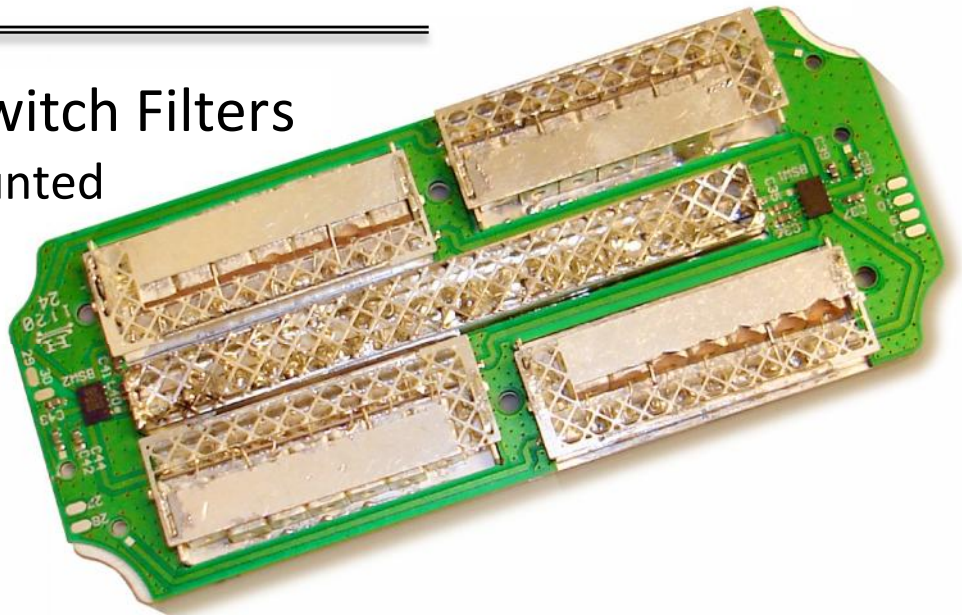
## Switch Filter Capability

- Offering a Full Range of Switch Filter Design & Manufacturing Capabilities
- Frequencies Up to 20 GHz

---

### Integration Ready Switch Filters

- Carrier or PWB Mounted
- Micro-Strip
- Surface Mount



---

### Fully Integrated Switch Filter

- Laser Sealed Hermetic
- SMA or GPO
- MIL-STD-883 Screening